

# DATASHEET - TLA 402 E1 WEATHER PROOF PHONE

## PABX & TELEPHONE SYSTEM EQUIPMENT



• Weather Proof total  
IP66 / 67

### DESCRIPTION - TLA 402 E1 Range Weather Proof Telephone

The TLA 402 E1 type telephone is design for critical/ the worst environments and meets industrial and offshore requirements. The GRP body with special reinforced treatment is designed to withstand most chemical and environmental hazards found on - or offshore.

The TLA402E1 range phone can integrated with different communication solutions. It can work as standard analog phone by connect to standard PBX, or it can become intercom by connect to center exchange, with optional built-in amplifier and additional power supply.

### MECHANICAL DATA

• Housing/Handset	GRP / Polyester carbon
• Handset cord:	Stainless steel 200kg resistance
• Mounting:	Wall or Pole
• Diameter	201X 320 X 113 mm
• Cable Entry	2 x weather proof plastic cable Ø 5-12mm
• Connection	Inside screw connections
• Weight	Approx. 2.3 kg
• Color	Black for back cover, orange for front cover

### ELECTRICAL DATA

• Direct current supply:	12 to 60 Vdc
• Consumption:	15 to 45mA
• Ringing voltage:	30– 90 Vac
• Dialing:	DTMF/pulse
• Flashing/earth:	Adjustable
• Electronic Bell:	84 to 92 dB@ 1M
• Hook:	Magnetic
• Conversation Mode:	By handset
• Noise cancelling:	Noise cancelling circuit

### ENVIRONMENT

• Ambient temperature during operation	-40 °C to + 70 °C
• Relative humidity (non -condensing)	Max. 95 %
• Degree of protection	IP66 or IP67
• Impact Rating (IK)	IK 10

ORDER NUMBER	DESCRIPTION
TLA 402 E1	Analog phone with 14 aluminum type key buttons ,handset.
TLA 402 E1F	Analog phone with 14 aluminum type key buttons ,handset and built-in Led beacon

Option : Phone with weather proof headset socket ,order by option letter '/XC'. headset order separately.

# DATASHEET - TLA 402 E1 WEATHER PROOF PHONE

PABX & TELEPHONE SYSTEM EQUIPMENT

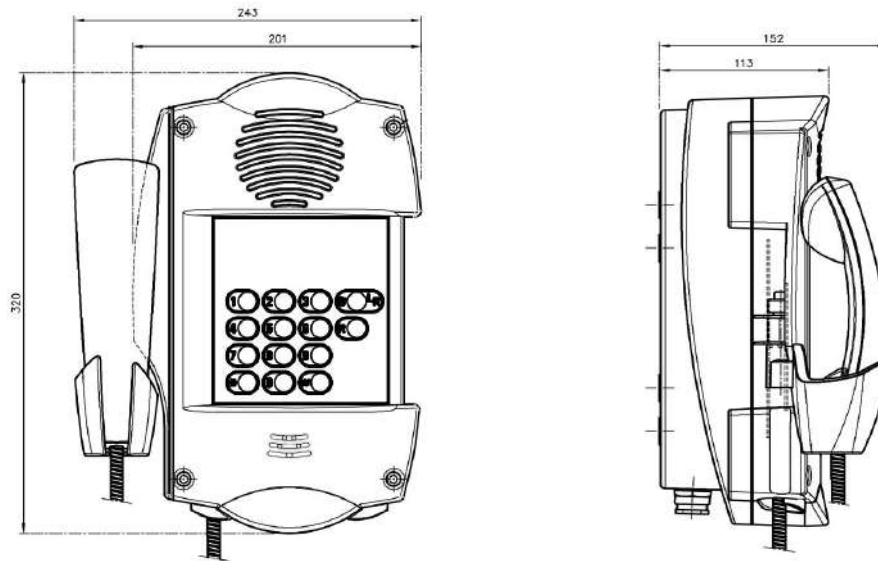
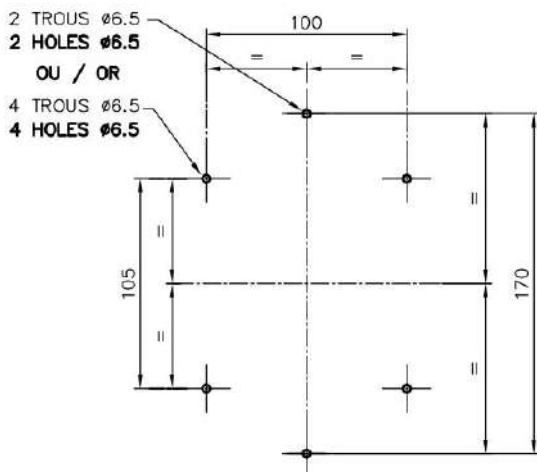


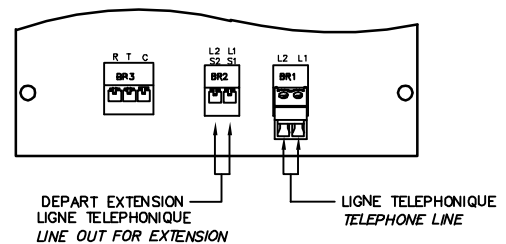
Fig. 1: Dimensional drawing TLA 402E1

## ***DRILLING FOR MOUNTING FROM INSIDE -***

2 MODES DE FIXATION / 2 FIXING METHODS



## ***WIRING***



## **DESCRIPTION**

ENCLOSURE IN LIGHT ALLOY THE COVER IS FIXED TO THE BOTTOM CASE VIA 4 STAINLESS STEEL SCREWS.

(A) TELEPHONE CARD	WK119TEL
(B) KEYBOARD CARD	WK114CLP
(C) 2 CABLE GLANDS FOR CABLE Ø5 to 12mm	PEP13C5-12
(D) LIGHT ALLOY COMPLETE HANDSET	MS436A17G68

OPTION: FLASHING BEACON CARD Réf: K025FLD

## **Installation, Operation and Maintenance Procedures**

- Open the pivoting front panel removing the four screws
- Pass the cables through the cableglands being sure that the cable fit with the rubber gasket.
- Connect the telephone wires at the screw terminals
- Close the front panel in conformity to the safety rules for classified areas

**This equipment is supplied with a 2 year warranty against defective workmanship**