

# DATASHEET - TLS 229 A EEX e CALL STATION

## PAGING & INTERCOM SYSTEM EQUIPMENT



ATEX / IECEx Certified



- zone 1 & 2
- zone 21 & 22

### DESCRIPTION - TLS 229 A Range Explosion Proof Call Station

The TLS 229 A type call station is design for hazardous environments and meets industrial and offshore requirements. The GRP enclosure with special treatment is designed to withstand most chemical and environmental hazards found on - or offshore.

The TLS 229 A range call station can integrated with different communication solutions. It can work as standard call station for Lelas's intercom & Public address & General alarm system (DIGICOM 3K system). Or become call handset of Page partly line -TELSON system by connect to AMP226 box.

### MECHANICAL DATA

• Housing/Handset	Glass Fiber Reinforced Polyester (GRP)
• Handset cord:	Stainless steel 200kg resistance
• Mounting:	Wall or Pole
• Diameter	201 X 320 X 113 mm
• Cable Entry	2 x Eex cable glands for cable Ø5-9mm
• Connection	Inside screw connections
• Weight	Approx. 2.3 kg
• Color	Black for back cover, orange for front cover

### ELECTRICAL DATA

• Direct current supply:	12 to 60 Vdc
• Consumption:	< 40mA
• Ringing voltage:	35 – 90 Vac
• Dialing:	DTMF/pulse
• Flashing/earth:	Adjustable
• Electronic Bell:	90 dB @ 1M
• Hook:	Magnetic
• Conversation Mode:	By handset or hands free
• Noise cancelling:	Noise cancelling circuit

### ENVIRONMENT

• Ambient temperature during operation	-40 °C to + 60 °C (Version A1) -20 °C to + 60 °C (Version A2)
• Relative humidity (non -condensing)	Max. 95 %
• Degree of protection	IP66/67
• Certification	ATEX em [ib] ib II C T5 ATEX Ex ib tb IIIC T100°C Db

ORDER NUMBER	DESCRIPTION
TLS 229 A1C9G	Handset free type with keypad,handset, work temp -40°C to 60°C
TLS 229 A2C9G	Handset free type with keypad, handset, work temp -20°C to 60°C
TLS 229 A1C9GL	Handset free type with keypad,handset, display, work temp -40°C to 60°C
TLS 229 A2C9GL	Handset free type with keypad, handset, display, work temp -20°C to 60°C

# DATASHEET - TLS 229 A EEX e CALL STATION

## PAGING & INTERCOM SYSTEM EQUIPMENT

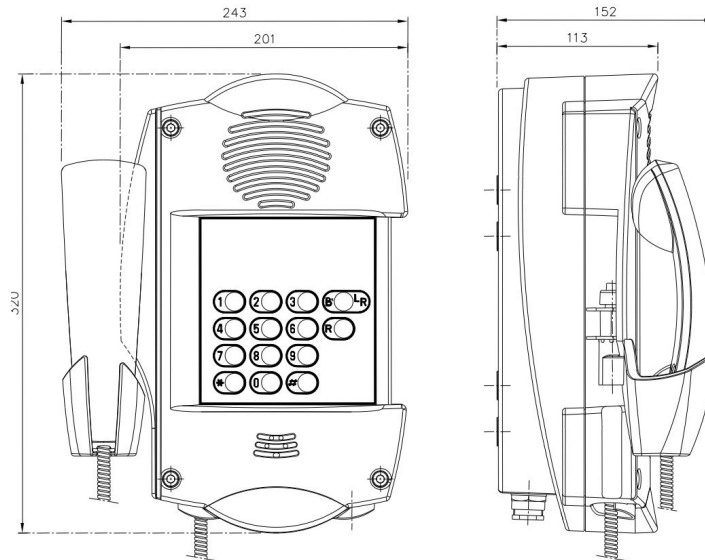


Fig. 1: Dimensional drawing TLS 229 A

### FIXATION INTERIEURE DRILLING FOR MOUNTING FROM INSIDE

2 MODES DE FIXATION / 2 FIXING METHODS

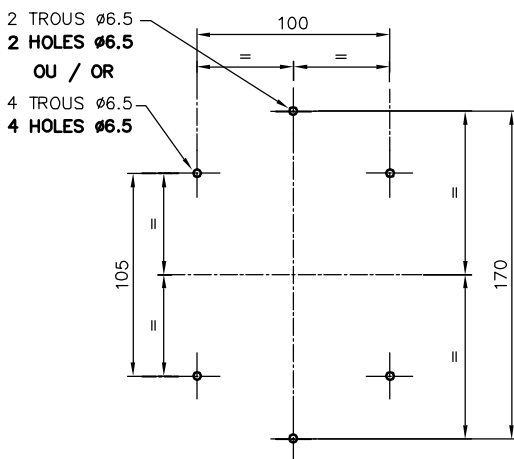


Fig. 2: Fixation

### RACCORDEMENT WIRING

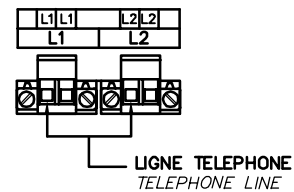


Fig. 3: Connection

### SPARE PARTS LIST

Telephone Card Pulse/Tone	Ref: WK205CMAATX
Intrinsic Safety Card	Ref: WK098PLIATX
Keypad Card	Ref: WK163CL9
2 Eex cable entries for cable ø5-9mm	Ref: EEL13C5*9ATX
Light alloy handset	Ref: MS436A17G68

This equipment is supplied with a 2 year warranty against defective workmanship

MAIN CONTACT : **TELEPHONES LE LAS** | ADDRESS: 99 RUE ALEXANDRE FOURNY, 94500 CHAMPIGNY - SUR-MARNE , FRANCE  
TEL: +33(0)1 48 76 62 62 | FAX: +33(0)1 48 76 83 04 | WEB: [www.lelas.fr](http://www.lelas.fr) | E-Mail: [lelas@lelas.fr](mailto:lelas@lelas.fr)

HEADQUARTER : 99 RUE ALEXANDRE FOURNY / 94500 CHAMPIGNY - SUR-MARNE / FRANCE

PLEASE REFER TO OUR WEBSITE, PLEASE NOTE THAT WHILST EFFORT HAS BEEN MADE TO ENSURE THE ACCURACY OF THIS DATASHEET. LE LAS WILL NOT ASSUME LIABILITY FOR THE USE THEREOF. LELAS RESERVES THE RIGHT TO IMPROVE SPECIFICATIONS WITHOUT PRIOR NOTICE, PLEASE REFER TO OUR WEBSITE FOR UPDATED INFORMATION OR CONTACT OUR LOCAL SALES REPRESENTATIVE.