

DATASHEET - TLA 214A3 VoIP EX TYPE PHONE

PABX & PAGING/INTERCOM SYSTEM EQUIPMENT



- zone 1 & 2
- zone 21 & 22

DESCRIPTION - TLA 214A3 VoIP type Eex d Explosion Proof Telephone

The TLA 214A3 'Eexd' type VoIP phone is design for hazardous environments and meets industrial and offshore requirements. The aluminum body with special treatment is designed to withstand most chemical and environmental hazards found on - or offshore.

The TLA 214 range VoIP phone can integrated with different communication solutions. It can work as standard VoIP phone by connect to standard IPBX, or it can become intercom call station of Public address & General alarm system (DIGICOM 3K system).

MECHANICAL DATA

• Housing/Handset	Aluminum Light-alloy/ Polyester carbon
• Handset cord:	Stainless steel 200kg resistance
• Mounting:	Wall or Pole
• Diameter	215 X 300 X 190 mm
• Cable Entry	2 x 3/4" NPT For cable on sheath Ø7-12mm
• Connection	Inside screw connections
• Weight	Approx. 9 kg
• Color	RAL 2003 (Orange). Other color as option

ELECTRICAL DATA

• Direct current supply:	PoE, or 12V/24Vac version as demand
• Consumption:	Maxi 1A at 12 Vdc / 12W
• Audio Output:	10W or optional 30W Class D amplifier under speaker 8 Ohms. handset, full duplex .
• Voice:	Management of the suppression of the local echo and the ambient noise.
• Electronic Bell:	84 dB @ 1M
• Hook:	Magnetic
• Conversation Mode:	By handset

ENVIRONMENT

• Ambient temperature during operation	-20 °C to + 50 °C
• Relative humidity (non -condensing)	Max. 95 %
• Degree of protection/Impact Rating (IK)	IP55 or IP66 / IK10
• Certification	ATEX II2GD (EEx d IIB or IIB+H2 T4) ATEX Number: INERIS 03ATEX0238X,

ORDER NUMBER	DESCRIPTION
TLA 214 A3A/P	SIP PoE phone with 14 buttons metal keypad,handset, Eex d IIB T4
TLA 214 A3AH/P	SIP PoE phone with 14 buttons metal keypad, handset, Eex d IIB+H2 T4
TLA 214 A3AC9L/P	SIP PoE phone with keypad,handset, and display Eex d IIB T4
TLA 214 A3AHC9L/P	SIP PoE phone with keypad,handset, and display, Eex d IIB+H2 T4

DATASHEET - TLA 214A3 VoIP EX TYPE PHONE

PABX & TELEPHONE SYSTEM EQUIPMENT

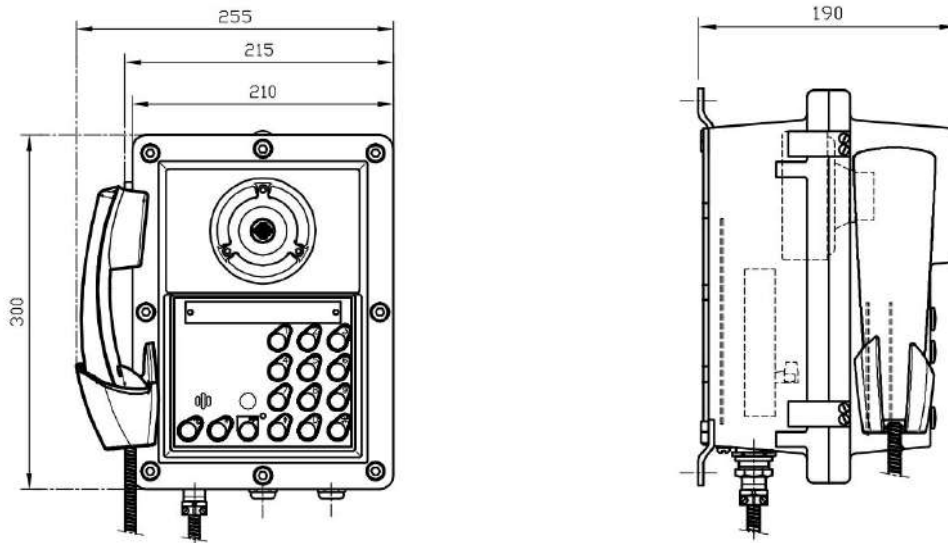


Fig. 1: Dimensional drawing TLA 214

BETWEEN HOLES FOR MOUNTING

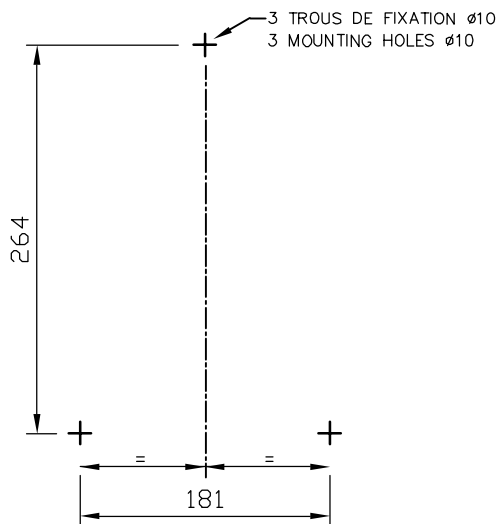


Fig. 2: Mounting drawing TLA 214

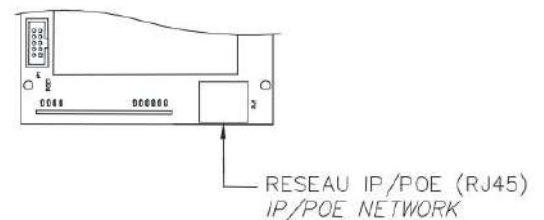


Fig. 2: Connecting drawing TLA 214

DATASHEET - TLA 214A3 VoIP EX TYPE PHONE

PABX & TELEPHONE SYSTEM EQUIPMENT

TECHNICAL DATA

CODECS	<ul style="list-style-type: none"> G.711 ulaw, G.711 alaw, G.722 HD, G.726 (16kbps), G.726 (24kbps), G.726 fixed payload, G.729 G.726 (40kbps), DVI4 Narrowband, DVI4 HD, Linear PCM, Linear PCM HD, Linear PCM (little endian), Linear PCM HD (little endian), ILBC-30, ILBC-20, SPEEX Narrowband, SPEEX Wideband, SILK Narrowband, SILK Wideband.
FUNCTION	<ul style="list-style-type: none"> General call and group calls (With SIP server of LELAS). Conference (requires SIP server LELAS). Peer-to-Peer mode for making point-to-point calls without a server (IP addressing call). Direct call via programmable memory button for secondary stations (10 keys) (For version TLS214) Ringer volume control via Web. Timed break recall facility / Last number redial facility. Management of a strike by DTMF activation code. Report/transfer. Static Mode or DHCP or PPPoE Management of a strike by DTMF activation code. Embedded web server set-up: number of rings off-hook, max time on-line, HP volume, ringer and microphone, adding custom ringtones, option strikes, report / transfer number, IP address and Netmask, cascade dialling, direct call numbers, SIP settings, codecs, button press time (call taking, cancelling communication), adding three broadcast messages ...
POSSIBLE OPTION WITH SIP LELAS SERVER	<ul style="list-style-type: none"> Simultaneous calls depending on the server (from 30 to 60). Supports up to 500 SIP terminal registrations. Supports up to 32 participants in conference, invitation to a conference. 99 conference channels. Supports Static Queue Mode with different strategies (Simultaneous, Linear, Less Recent, Less Call, Random, Circular with Memory). Editable music broadcasting. Interception of calls. Voicemail, consultation with PIN. Interactive voice answering machine. DND call forwarding (Do not disturb, call forwarding if busy, if no answer, unconditional ...). Recording of communications (WAV format) saved on SD card.
SIP SERVER LANGUAGE	<ul style="list-style-type: none"> English, French, Chinese.

Installation, Operation and Maintenance Procedures

- Open the pivoting front panel removing the eight screws
- Pass the cables through the cableglands being sure that the cable fit with the rubber gasket.
- Connect the telephone wires at the screw terminals
- Close the front panel in conformity to the safety rules for classified areas

This equipment is supplied with a 2 year warranty against defective workmanship



MAIN CONTACT : **TELEPHONES LE LAS** | ADDRESS: 99 RUE ALEXANDRE FOURNY, 94500 CHAMPIGNY - SUR-MARNE , FRANCE
 TEL: +33(0)1 48 76 62 62 | FAX: +33(0)1 48 76 83 04 | WEB: www.lelas.fr | E-Mail: lelas@lelas.fr
 HEADQUARTER : 99 RUE ALEXANDRE FOURNY / 94500 CHAMPIGNY - SUR-MARNE / FRANCE

PLEASE REFER TO OUR WEBSITE, PLEASE NOTE THAT WHILST EFFORT HAS BEEN MADE TO ENSURE THE ACCURACY OF THIS DATASHEET. LE LAS WILL NOT ASSUME LIABILITY FOR THE USE THEREOF. LELAS RESERVES THE RIGHT TO IMPROVE SPECIFICATIONS WITHOUT PRIOR NOTICE, PLEASE REFER TO OUR WEBSITE FOR UPDATED INFORMATION OR CONTACT OUR LOCAL SALES REPRESENTATIVE.