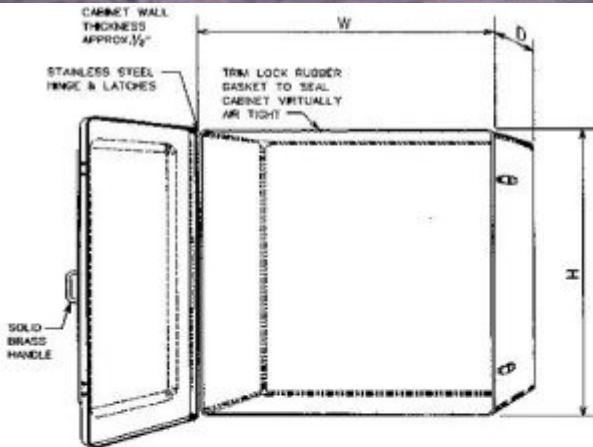


# Fire Hose Cabinets - Model Type : FHC



Fire Hose Cabinets

Sizes Available:

	L	W	D (O.D.)
FHC-0	24" X 18"	X 6"	
FHC-1	29 <sup>1</sup> / <sub>4</sub> " X 29 <sup>1</sup> / <sub>4</sub> "	X 11 <sup>1</sup> / <sub>2</sub> "	
FHC-2	37 <sup>1</sup> / <sub>4</sub> " X 37 <sup>1</sup> / <sub>4</sub> "	X 12"	
FHC-3	48 <sup>3</sup> / <sub>4</sub> " X 36 <sup>1</sup> / <sub>2</sub> "	X 11 <sup>3</sup> / <sub>4</sub> "	
FHC-24	24" X 24"	X 16"	

**THOMAS**  
PRODUCTS

© 1998 Thomas Products  
All rights reserved

### Outside Dimensions (in inches)

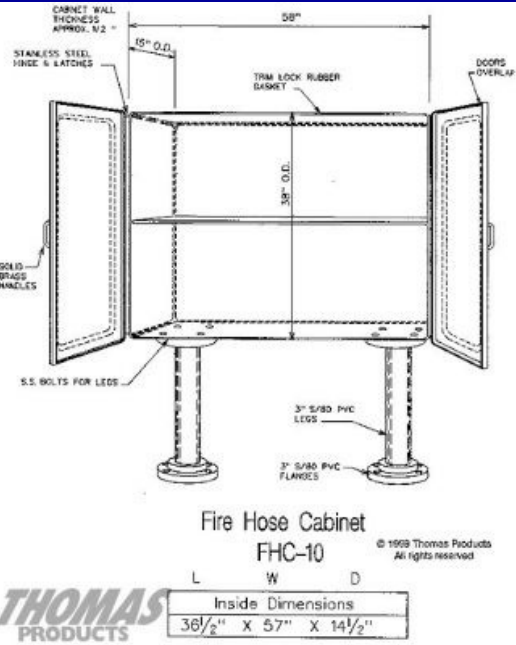
Model	Height	Length	Width	Depth
FHC-0	24	N/A	18	6
FHC-1	29-1/4	N/A	29-1/4	11-1/2
FHC-2	37-1/4	N/A	37-1/4	12
FHC-24	24	N/A	24	16
FHC-25	37-1/4	N/A	37-1/4	20
FHC-3	48-3/4	N/A	36-1/2	11-3/4

### Inside Dimensions (in inches)

Model	Height	Length	Width
FHC-0	22-1/2	N/A	17
FHC-1	27	N/A	27
FHC-2	34-3/4	N/A	34-3/4
FHC-24	22	N/A	22
FHC-25	34-3/4	N/A	34-3/4
FHC-3	45-1/2	N/A	33

**NOTES:** Our fire hose cabinets made from durable fiberglass can be wall mounted or floor mounted. Our fiberglass hose enclosures will accommodate hump rack or pin rack configurations or an optional portable fire extinguisher. This roof house style with optional available window and many colors will provide years of superior protection for your safety equipment needs.

# Fire Hose Cabinets - Model Type : FHC-10



Outside Dimensions (in inches)

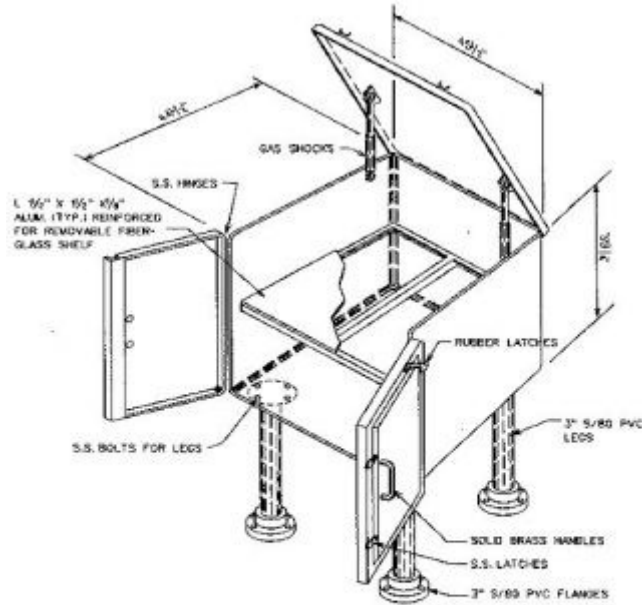
Model	Height	Length	Width
FHC-10	38	N/A	58

Inside Dimensions (in inches)

Model	Height	Length
FHC-10	36-1/2	N/A

**NOTES:** Our FHC-10 is available with or without legs to offer off the floor access for superior hose protection. Our roof houses are available in many colors and custom designs.

# Fire Hose Cabinets - Model Type : FHC-3D



Fire Hose Cabinet  
FHC-3D

© 1998 Thomas Products  
All rights reserved

w/ REMOVABLE FIBERGLASS SHELF

W D

Inside Dimensions

34 1/4" X 44 1/2" X 43 1/2"

Outside Dimensions (in inches)

Model	Height	Length	Width	Depth
FHC-3D	35-1/4	N/A	45-1/2	44-1/2

## Inside Dimensions (in inches)

Model	Height	Length	Width
FHC-3D	34-1/4	N/A	44-1/2

**NOTES:** This large fire equipment and fire hose house can be modified into a hydrant house. The durable fiberglass construction is designed to withstand harsh conditions and environments and will accommodate various hose sizes.

# ***Fire Hose Cabinets for Exposure Protection***

Thomas Products fiberglass Fire Hose cabinets are designed to protect fire hose of all types, size, and lengths. Thomas Products fire hose cabinets are also designed to accommodate most Wirt-Knox hump racks as well as Powhata pin racks. Thomas Products fire hose cabinets are manufactured with high quality materials and designed to protect fire hose and associated fire hose hardware such as nozzles, valves, and spray heads from exposure to harsh UV rays, chemicals, moisture, dust, salt air, insects, and temperature extremes.

Thomas Products fiberglass cabinets are manufactured under U.S. Patent No. 4,998,587 and are available in a variety of UV inhibited colors as well as interiors designed to meet your specifications. The rugged and durable construction of Thomas Products fiberglass cabinets combine to produce a dependable and virtually air tight enclosure that will last much longer than wood, steel, aluminum, or plastic cabinets. Thomas Products fiberglass cabinets can be wall mounted, attached to handrails, bulkheads, or designed to be free standing.

**For more information on any of our products please [contact us](#).**

**[www.fsesafe.com](http://www.fsesafe.com)**

**[sales@fsesafe.com](mailto:sales@fsesafe.com)**

FSESAFE SINGAPORE (HQ) AND OFFICE WORLD-WIDE. DISTRIBUTING THOMAS PRODUCTS INC. FIBREGLASS CABINETS AND ENCLOSURES ACROSS SOUTH EAST ASIA INCLUDING – SINGAPORE, MALAYSIA, INDONESIA, BRUNIE, THAILAND, VIETNAM, MYANMAR.

VISIT – [WWW.FSESAFE.COM](http://WWW.FSESAFE.COM)

EMAIL – [SALES@FSESAFE.COM](mailto:SALES@FSESAFE.COM)