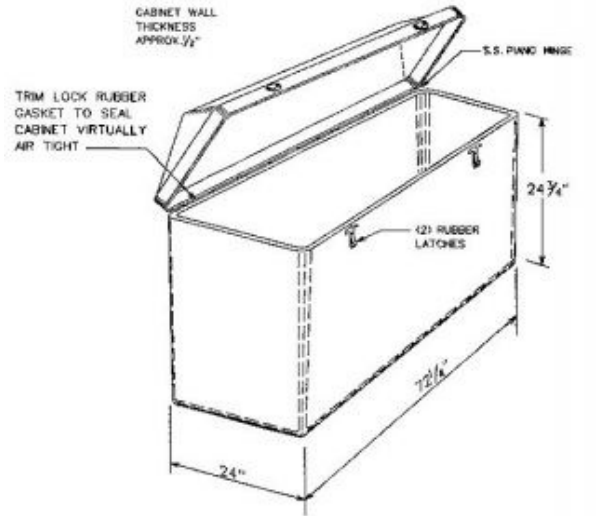


# Life Jacket and Life Ring Cabinets - Model Type : LJC-72



Life Preserver Cabinets  
LJC-72

© 1988 Thomas Products  
All rights reserved

L	W	D
Inside Dimensions		
70"	22 1/4"	24 1/8"

Outside Dimensions (in inches)

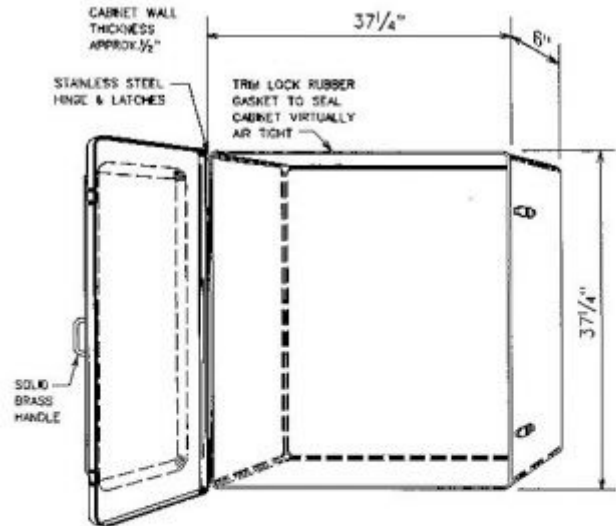
Model	Height	Length	Width	Depth
LJC-72	N/A	73-1/4	25-1/4	30-3/4

Inside Dimensions (in inches)

Model	Height	Length	Width
LJC-72	N/A	71	23

**NOTES:** Fiberglass cabinet for storing life jackets. Durable construction, these flotation device lockers will not rust or deteriorate like metal cabinets will. The life containers will hold all brands. Wide hatch for easy entry and access, they offer excellent protection from the elements. Available in International Safety Orange for high visibility.

# Life Jacket and Life Ring Cabinets - Model Type : LRC-2



Life Ring Cabinet  
LRC-2

© 1990 Thomas Products  
All rights reserved

L	W	D
Inside Dimensions		
34 3/4"	34 3/4"	5 1/2"

## Outside Dimensions (in inches)

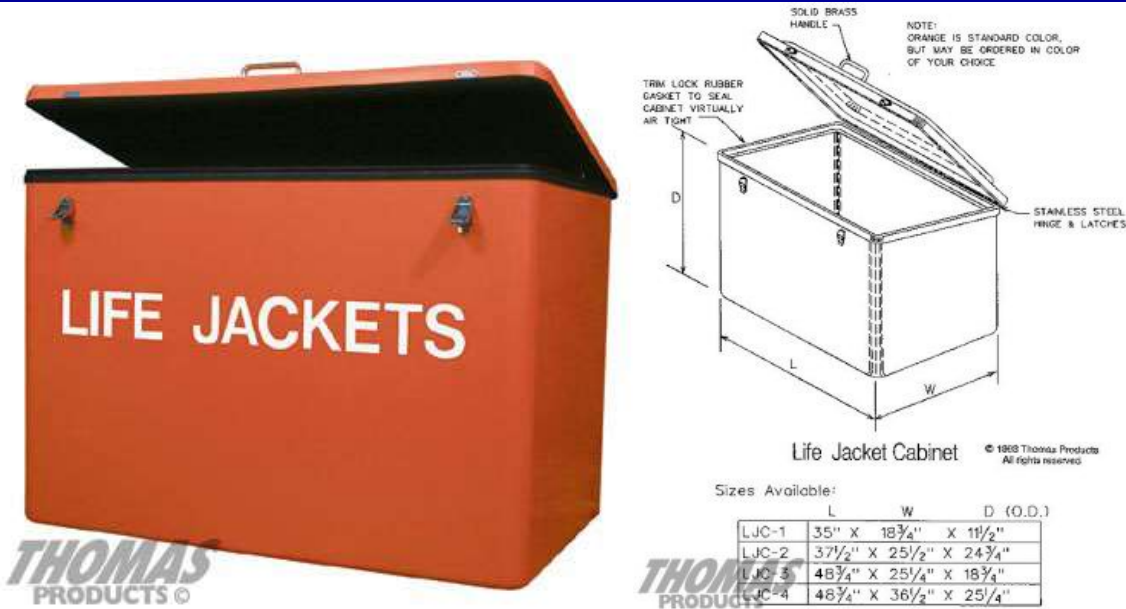
Model	Height	Length	Width	Depth
LRC-2	37-1/4	N/A	37-1/4	6

## Inside Dimensions (in inches)

Model	Height	Length	Width
LRC-2	34-3/4	N/A	34-3/4

**NOTES:** Our LRC-2 life ring cabinets are made of rugged fiberglass offering protection from the sun and salt spray. These cabinets will protect life ring buoys and will offer years of service. The cabinets come in highly visible International Safety Orange color. These storage lockers are not designed for life jackets.

# Life Jacket and Life Ring Cabinets - Model Type : LJC Series



## Outside Dimensions (in inches)

Model	Height	Length	Width	Depth
LJC-1	N/A	35	18-3/4	11-1/2
LJC-2	N/A	37-1/2	25-1/2	24-3/4
LJC-3	N/A	48-3/4	25-1/4	18-3/4
LJC-4	N/A	48-3/4	36-1/2	25-1/4

## Inside Dimensions (in inches)

Model	Height	Length	Width
LJC-1	N/A	32-1/4	16-1/2
LJC-2	N/A	34-1/2	23
LJC-3	N/A	46	22-1/2
LJC-4	N/A	46	33-1/2

**NOTES:** Our LJC series offers top protection in a superior design. This life jacket cabinet is the perfect container for flotation devices. The durable fiberglass design gives you the best performance under environmental extremes and outlasts all other cabinet materials for boating conditions.

**Life Jacket and Life Ring Cabinets - Model Type : LJC-5R**



**Outside Dimensions (in inches)**

Model	Height	Length	Width	Depth
LJC-5R	N/A	52-1/4	31-1/4	35-1/2

**Inside Dimensions (in inches)**

Model	Height	Length	Width
LJC-5R	N/A	49-3/4	31

**NOTES:** The LJC-5R life jacket cabinet is our newest model in our line boater safety lockers. With a rounded top to discourage storing items atop our safety trunk. A virtually air tight enclosure, our fiberglass life jacket trunks will withstand the demands that the sea imposes better than steel, aluminum or plastic enclosures.

# ***Life Jacket Cabinets for Your Equipment***

Thomas Products fiberglass life jacket and life ring cabinets are designed to protect all types, sizes, and styles of life preservers, life jackets and flotation rings. Thomas Products fiberglass enclosures are manufactured with high quality materials and designed to help shield life jackets, life rings, life preservers, flotation devices, and other life saving equipment from exposure to harsh UV rays, chemicals, moisture, dust, salt air, insects, and temperature extremes.

Thomas Products fiberglass cabinets are manufactured under U.S. Patent No. 4,998,587 and are available in a variety of UV inhibiting colors as well as interiors designed to meet your specifications. The rugged and durable construction of Thomas Products fiberglass cabinets combine to produce a dependable and virtually air tight enclosure that will last much longer than steel, wood, aluminum, or plastic cabinets. Thomas Products fiberglass cabinets can be wall mounted, attached to handrails, bulkheads, or designed to be free standing.

**For more information on any of our products please [contact us](#).**

**[www.fsesafe.com](http://www.fsesafe.com)**

**[sales@fsesafe.com](mailto:sales@fsesafe.com)**

FSESAFE SINGAPORE (HQ) AND OFFICE WORLD-WIDE. DISTRIBUTING THOMAS PRODUCTS INC. FIBREGLASS CABINETS AND ENCLOSURES ACROSS SOUTH EAST ASIA INCLUDING – SINGAPORE, MALAYSIA, INDONESIA, BRUNIE, THAILAND, VIETNAM, MYANMAR.

VISIT – [WWW.FSESAFE.COM](http://WWW.FSESAFE.COM)

EMAIL – [SALES@FSESAFE.COM](mailto:SALES@FSESAFE.COM)