

DACON RESCUE BASKET

effective method of recovery

MORE THAN
250 SOLD
WORLDWIDE



INTRODUCTION

- Stable and effective method of recovery
- Perfect for mass rescue situations
- Rugged aluminium construction with soft padding
- Low floating position for easy entry
- Quick- folding lifting mast for convenient stowage

Typical Applications

ERRV/ Standby
Navy Ships
Offshore Support
SAR Cutters
Commercial Vessels to
meet SOLAS III-17-1 req.

SAFETY

The Basket is completely padded for protection of occupants. A large float in the mast prevents capsizing. Metal net covered sides for safety.

Accepted
by
NMD/ UKOOA

FENDERS

Fenders rotate for easy recovery of casualties and for protection when hauled against the ship side.

LIFTING MAST

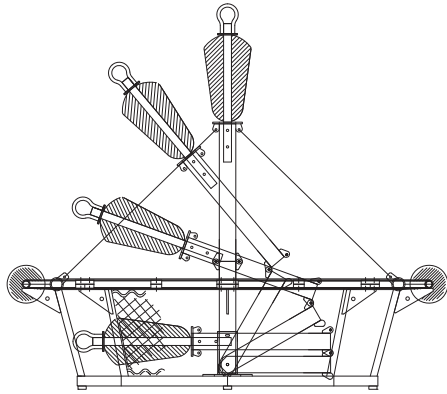
The mast folds/ erects in seconds without tools.



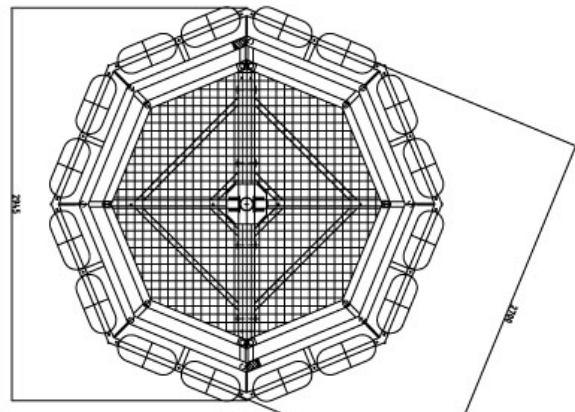
Contact Information for Inquiries: sales@fseprojects.com

DACON RESCUE BASKET

effective method of recovery



Dacon Rescue Basket with foldable mast



SPECIFICATIONS

Model	RB-300	RB-250
Capacity:	8 persons	6 persons
Test load:	900 kg	700 kg
(Evenly distributed load)	2500 kg	2500 kg

Dimensions & Weight

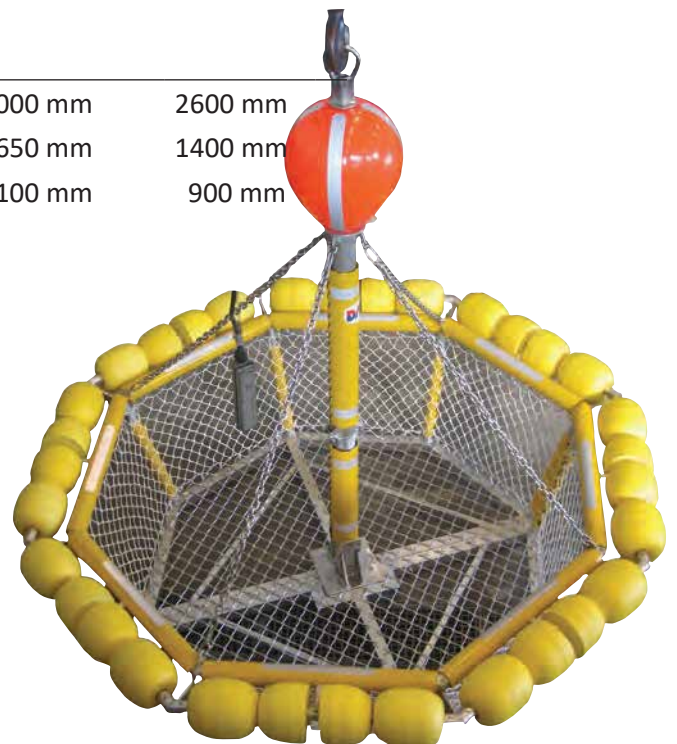
Diameter:	3000 mm	2500 mm
Height:	2800 mm	2400 mm
Height folded mast:	765 mm	670 mm
Weight:	155 kg	120 kg

Shipping Dimensions (shipped as two half sections)

Length:	3000 mm	2600 mm
Width:	1650 mm	1400 mm
Height:	1100 mm	900 mm

MATERIALS

Structure:	Aluminium
Floor:	Expanded aluminium plate
Wire & fittings:	Stainless steel
Floats:	Expanded PVC
Side net:	Aluminium
Fittings:	Stainless steel



Contact Information for Inquiries: sales@fseprojects.com

Source: <https://daconrescue.com/>