

DACON RESCUE BASKET

effective method of recovery

MORE THAN
250 SOLD
WORLDWIDE

INTRODUCTION

- Stable and effective method of recovery
- Perfect for mass rescue situations
- Rugged aluminium construction with soft padding
- Low floating position for easy entry
- Quick- folding lifting mast for convenient stowage

SAFETY

The Basket is completely padded for protection of occupants. A large float in the mast prevents capsizing. Metal net covered sides for safety.

FENDERS

Fenders rotate for easy recovery of casualties and for protection when hauled against the ship side.

LIFTING MAST

The mast folds/ erects in seconds without tools.

Typical Applications

ERRV/ Standby
Navy Ships
Offshore Support
SAR Cutters
Commercial Vessels to
meet SOLAS III-17-1 req.

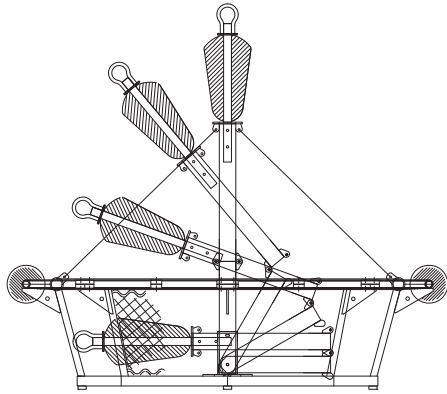
Accepted
by
NMD/ UKOOA



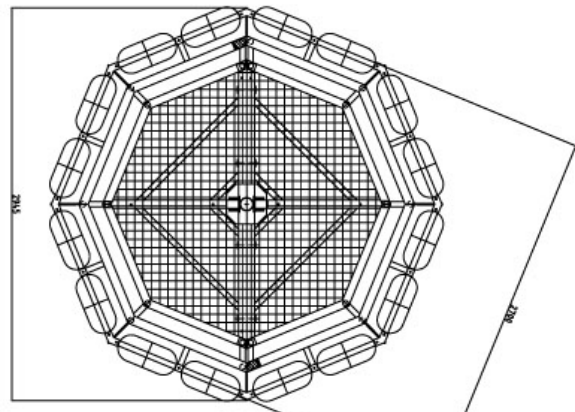
Contact Information for Inquiries: sales@fseprojects.com

DACON RESCUE BASKET

effective method of recovery



Dacon Rescue Basket with foldable mast



SPECIFICATIONS

Model

RB-300

RB-250

Capacity:

8 persons

6 persons

Test load:

900 kg

700 kg

2500 kg

2500 kg

(Evenly distributed load)

Dimensions & Weight

Diameter:

3000 mm

2500 mm

Height:

2800 mm

2400 mm

Height folded mast:

765 mm

670 mm

Weight:

155 kg

120 kg

Shipping Dimensions (shipped as two half sections)

Length:

3000 mm

2600 mm

Width:

1650 mm

1400 mm

Height:

1100 mm

900 mm

MATERIALS

Structure:

Aluminium

Floor:

Expanded aluminium plate

Wire & fittings:

Stainless steel

Floats:

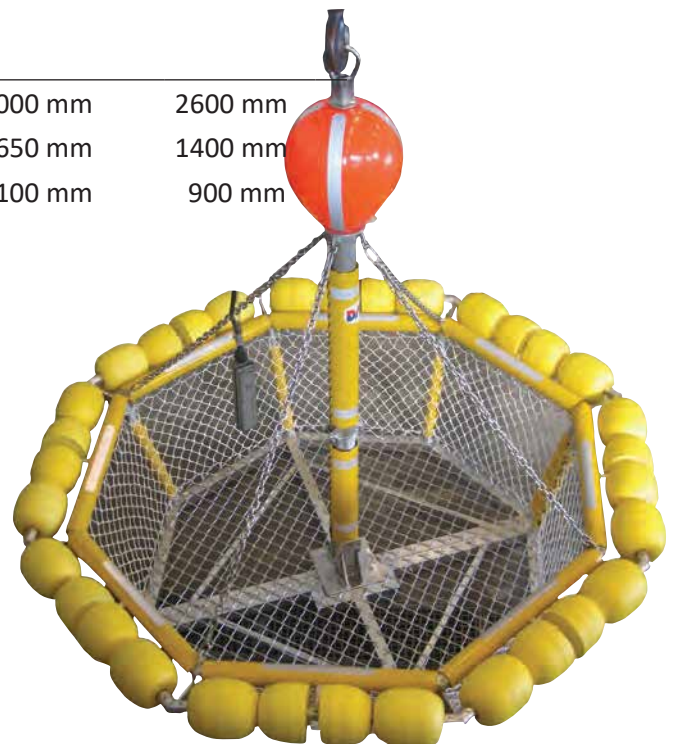
Expanded PVC

Side net:

Aluminium

Fittings:

Stainless steel



Contact Information for Inquiries: sales@fseprojects.com

Source: <https://daconrescue.com/>