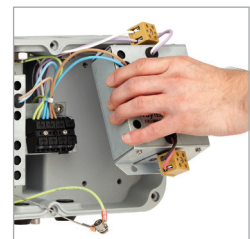


SPARTAN SPX Flood
LED Zone 1 Flood Light Standard and Emergency Variants



Robust and Durable

Designed from marine grade aluminium and able to withstand the most extreme environments.



Emergency

Available as an emergency variant, and capable of providing up to 100% light output in emergency mode.



Easy Maintenance

Featuring a unique modular design, key components such as the LED and PSU modules are easily accessible for straightforward maintenance and inspection.



Beam Angles

Available in a range of different beam patterns, both circular and elliptical.

5 YEAR WARRANTY

All Raytec luminaires are provided with an industry leading 5 year warranty and have an expected useful life in excess of 10 years. See Warranty Statement for details.



Technical Specifications

Certification

ATEX Rating	ATEX and IEC Ex rated for Gas and Dust
Hazardous Area Rating	Zone 1 – Gas and Dust
Certificates	CML13ATEX3007 & IEC Ex CML 14.0001
Gas	II 2 G D Ex eb mb IIC T4 Gb Ta= Up to -52°C to +55°C (all emergency variants have a lower ambient of -20°C only)
Dust	Ex tb IIIC T82°C Db Ta= Up to -52°C to +55°C IP66/IP67
ABS Certificate #	ABS Certificate # 20-1990083-PDA

Electrical

	FL24	FL24-EM	FL48	FL48-EM
Input	110-254V 50/60Hz AC only Low voltage: 18-48V AC and 18-69V DC Extra low voltage: 12V AC/DC	110-254V 50/60Hz AC only	110-254V 50/60Hz AC only Low voltage: 18-48V AC and 18-69V DC Extra low voltage: 12V AC/DC	110-254V 50/60Hz AC only
Power	68W	71W	136W	139W
Termination	Incoming terminal block suitable for looping 4 core 4mm ² cable (6mm ² available - POA)		Incoming terminal block suitable for looping 4 core 4mm ² cable (6mm ² available - POA)	
Power Factor	>0.95		>0.95	
Cable Entries	2xM20 as standard (other entries available upon request), dispatched complete with one ATEX/IEC Ex approved blanking plug		2xM20 as standard (other entries available upon request), dispatched complete with one ATEX/IEC Ex approved blanking plug	

Optical

	FL24	FL24-EM	FL48	FL48-EM
Beam Patterns - Circular	10°x 10° or 30°x 30° or 50°x 50° or 120°x 120° (10°x 10° option can be upgraded to Vario Technology)		10°x 10° or 30°x 30° or 50°x 50° or 120°x 120° (10°x 10° option can be upgraded to Vario Technology)	
Beam Patterns - Elliptical	35°x 10° or 60°x 25° or 80°x 30° or 120°x 50° (VARIO)		35°x 10° or 60°x 25° or 80°x 30° or 120°x 50° (VARIO)	
Lumen output on mains	Up to 8,450 lm – circular beam patterns Up to 8,200 lm – elliptical beam patterns (VARIO)		Up to 16,900 lm – circular beam patterns Up to 15,900 lm – elliptical beam patterns (VARIO)	
LED type	Platinum Elite SMT LEDs			
Number of LEDs	24		48	
CRI	80+			
Colour Temperature	6000K+			

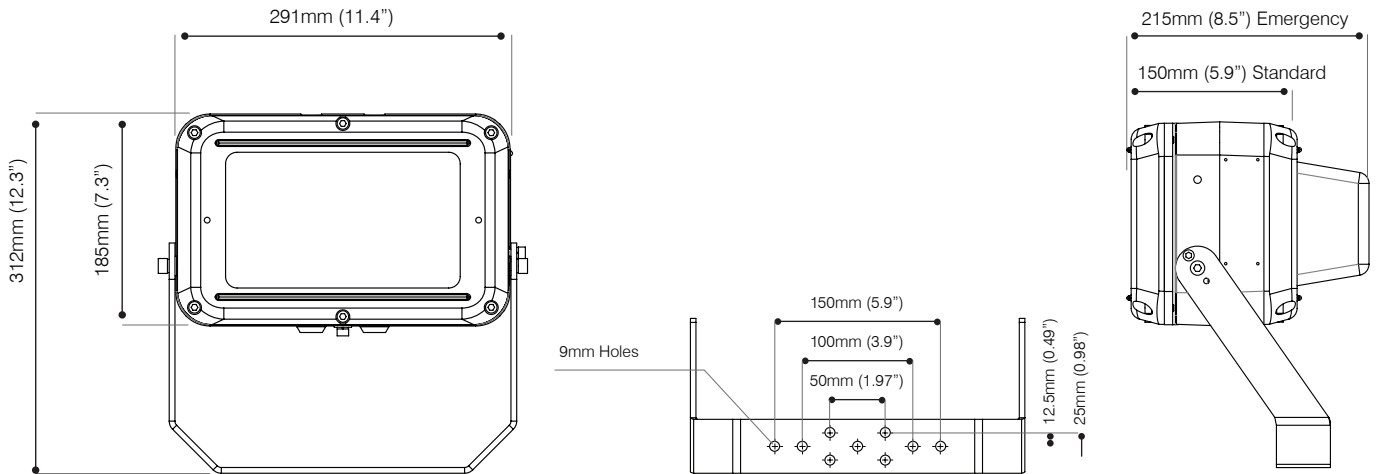
Mechanical

	FL24	FL24-EM	FL48	FL48-EM
Burning Position	Universal			
IP Rating	IP66/IP67			
Temperature Range	- 52°C to +55°C	- 20°C to +55°C	- 52°C to +55°C	- 20°C to +55°C
Weight	8kg (17.6lbs)	10kg (22lbs)	8kg (17.6lbs)	10kg (22lbs)
Enclosure	Marine grade aluminium epoxy powder coated, toughened glass, all external fasteners and brackets are marine grade stainless steel			
Unit Colour	Silver (RAL 9006)	Silver (RAL 9006) Red (RAL3024) - Emergency Cover	Silver (RAL 9006)	Silver (RAL 9006) Red (RAL3024) - Emergency Cover
Installation instructions	Please see document 0910-M-0094 at www.rayteclcd.com			
Battery care instructions	Please see document 0010-D-00001 at www.rayteclcd.com			
Dimensions	291 x 312 x 150mm (11.5 x 12.3 x 6")	291 x 312 x 215mm (11.5 x 12.3 x 8.5")	291 x 502 x 158mm (11.5 x 19.8 x 6.2")	291 x 502 x 219mm (11.5 x 19.8 x 8.6")
Mounting	U bracket (as shown on next page).			

Technical Specifications - Continued

Intelligent Emergency	FL24-EM	FL48-EM
Emergency Duration	90mins at 50% power Other options available	90mins at 25% power Other options available
Emergency Battery	Ni/Cd 12V 4.5Ah	Ni/Cd 12V 4.5Ah
Emergency Charge Time	20 hours	20 hours

Product Dimensions



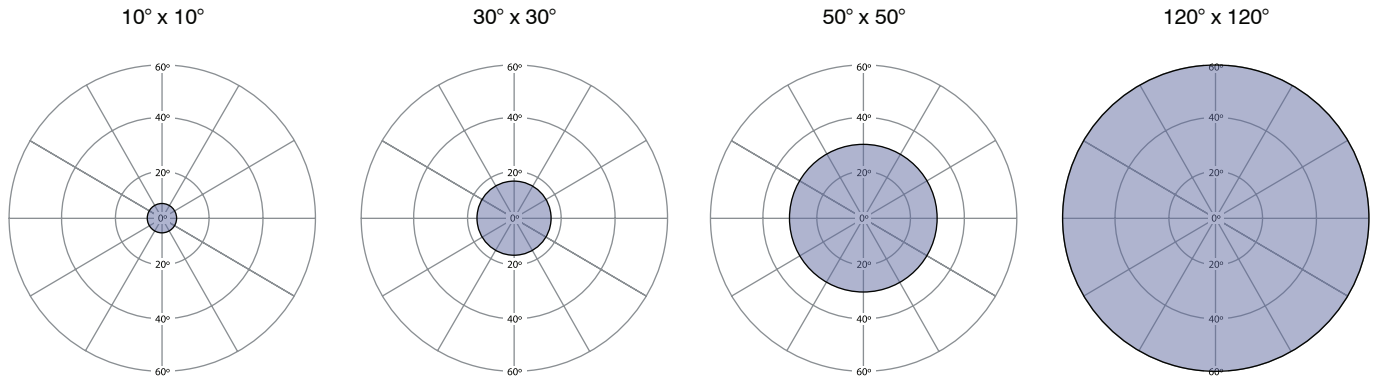
Part Code Builder

Zone 1

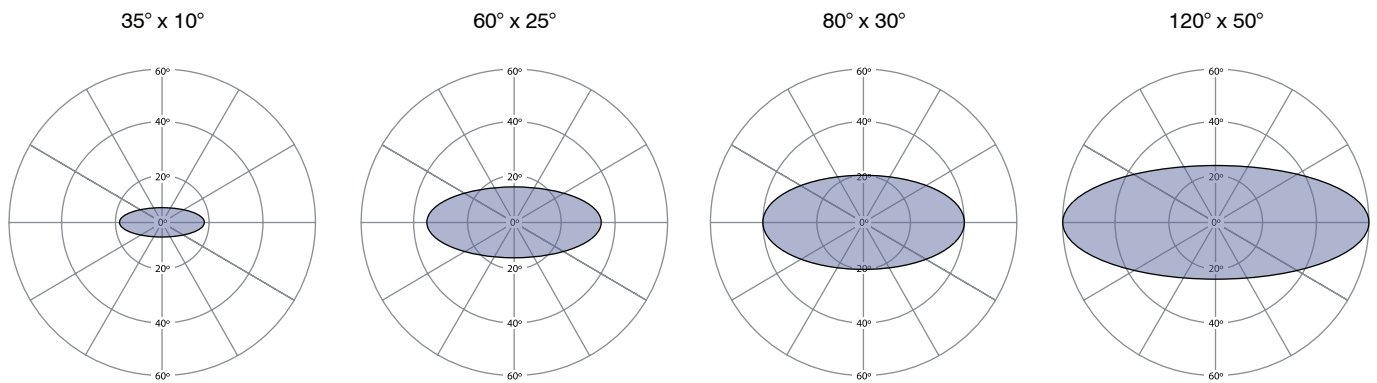
Example - SPX-FL24-W-1010-EM25

Family	Model	Light Type	Optic	Emergency	CCT	Power	Entry
SPX	FL24	W - White Light	1010	Not Stated - Non Em	Not Stated - 6000k	Not Stated - Standard Mains	Not Stated - M20
	FL48	I - Infrared	3030	EM25 (FL48)	4K - 4000k	LV - Low Voltage (Non EM only)	M25
			5050	EM50 (FL24)		ELV - Extra Low Voltage (Non EM only)	
			120120				
			3510				
			6025				
			8030				
			12050				

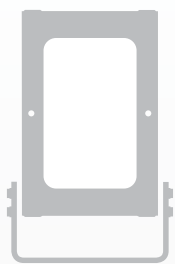
Beam patterns - Circular



Beam patterns – Elliptical (VARIO)



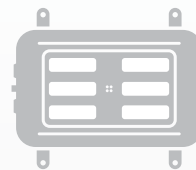
Products in the SPARTAN Family



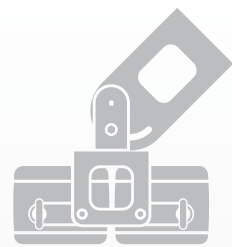
SPARTAN Flood



SPARTAN Linear



SPARTAN Bulkhead



SPARTAN Crane