

SPARTAN LED
Zone 1/21 SPX Linear Spigot Luminaire



Ultra-Powerful

SPARTAN Linear delivers industry-leading power and performance with an efficacy of up to 128 lumens per watt on standard variants.



Modular Design

Key components such as the LED and PSU modules are easily accessible for straightforward maintenance and inspection.



Intelligent Emergency

Self-testing emergency battery providing up to 3 hours emergency back-up.



Integrated Spigot

The integrated spigot bracket is designed to fit poles up to 42mm in diameter and is fully shrouded for environmental protection.

5 YEAR WARRANTY

All Raytec luminaires are provided with an industry leading 5 year warranty and have an expected useful life in excess of 10 years. See Warranty Statement for details.



Technical Specifications

Certification

| | |
|-----------------------|---|
| ATEX Rating | ATEX UKEX and IEC Ex rated for Gas and Dust |
| Hazardous Area Rating | Zone 1 (Gas), Zone 21(Dust) |
| Certificates | CML14ATEX3119 & IECExCML15.0001 & CML21UKEX3105 |
| Gas | II 2 G D Ex eb mb IIC T4 Gb Ta= -40°C to +60°C (-20°C to +50°C for emergency variants) |
| Dust | Ex tb IIIC T80°C Db Ta= -40°C to +60°C (-20°C to +50°C for emergency variants) |
| ABS Certificate # | ABS Certificate # 20-1990083-PDA |

Electrical

| | WL84 | WL84 Emergency | WL84 High Output |
|---------------|--|--------------------------|------------------------------------|
| Input | Standard: 110-254V AC 50/60Hz 110-254V DC * Low voltage version: 18-48V AC and 18-69V DC Extra low voltage version: 12V AC/DC | 110-254V 50/60Hz AC only | 110-254V AC 50/60Hz 110-254V DC |
| Power | 24W | 32W | 48W |
| Termination | Incoming terminal block suitable for 4 core 4mm ² cable (6mm ² available - POA) | | |
| Power Factor | >0.95 | >0.95 | >0.95 |
| Cable Entries | 1xM20 cable entry as standard (other entries available upon request), dispatched complete with an ATEX/IEC Ex approved blanking plug | | |

* T6 variants are AC only

Optical

| | WL84 | WL84 Emergency | WL84 High Output |
|-----------------------|-------------------------|-------------------------|-------------------------|
| Lumen output on mains | 3065 | 3065 | 6130 |
| LED type | Platinum Elite SMT LEDs | Platinum Elite SMT LEDs | Platinum Elite SMT LEDs |
| Number of LEDs | 80 | 80 | 80 |
| CRI | 80+ | 80+ | 80+ |
| Colour Temperature | 6500K standard | 6500K standard | 6500K standard |

Mechanical

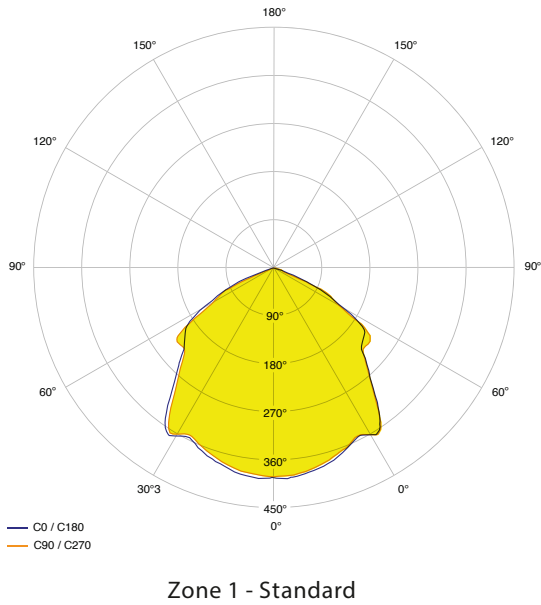
| | WL84 | WL84 Emergency | WL84 High Output |
|-------------------|----------------|-----------------|------------------|
| Burning Position | Universal | Universal | Universal |
| IP Rating | IP66 & IP67 | IP66 & IP67 | IP66 & IP67 |
| IK Rating | IK10 | IK10 | IK10 |
| Temperature Range | -40°C to +60°C | -20°C to + 50°C | -40°C to +60°C |
| Weight | 6kg (13.2lbs) | 7kg (15.4lbs) | 6kg (13.2lbs) |

Technical Specifications

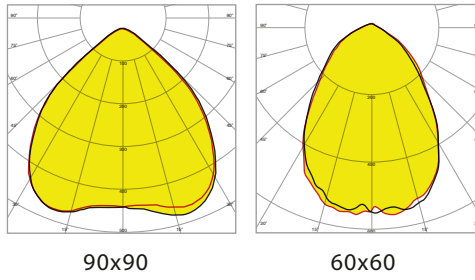
| Mechanical | WL84 | WL84 Emergency | WL84 High Output |
|---------------------------|---|--|-------------------|
| Enclosure | Marine grade aluminium epoxy powder coated, UV stabilised polycarbonate, all external fasteners and brackets are marine grade stainless steel | | |
| Unit Colour | Silver (RAL 9006) | Silver (RAL 9006) Red (RAL3024) - Emergency battery cover | Silver (RAL 9006) |
| Installation instructions | Please see document 0920-D-00042 at www.raytecltd.com | | |
| Battery Care | Please see document 0010-D-00001 at www.raytecltd.com | | |
| Dimensions | See dimensional sketches | | |
| Mounting | Via 34-42mm spigot entry. Grub screws provided as standard | | |

| Intelligent Emergency | WL84 Emergency |
|-------------------------|---|
| Function | Self-testing intelligent emergency |
| System health indicator | Tri-colour LED indicator |
| Emergency Duration | Up to 3hrs @ 25% power Other options available |
| Emergency Battery | Ni/Cd 12V |
| Emergency Charge Time | 20 hours |

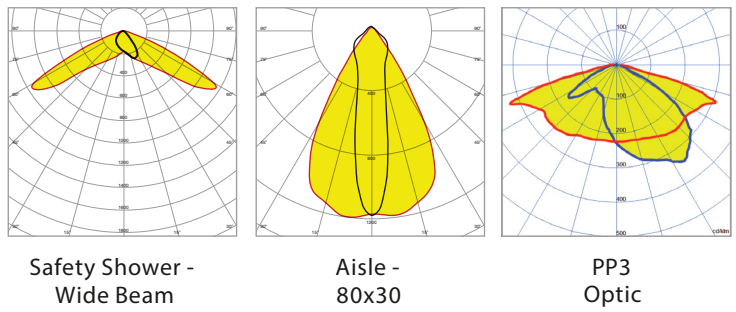
Light Distribution



Symmetrical Optics

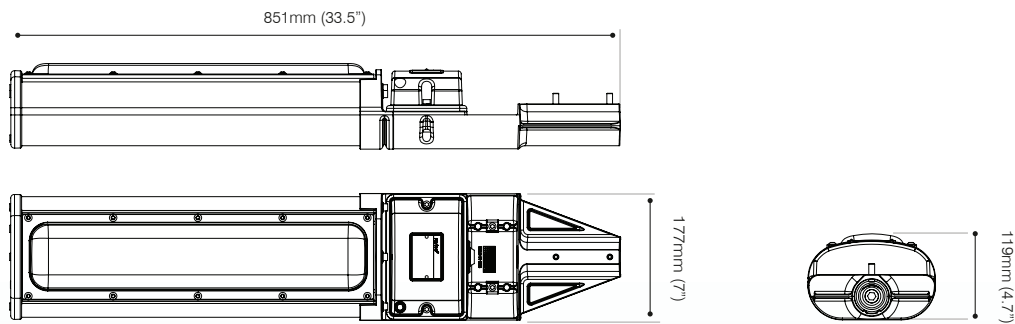


Asymmetrical Optics

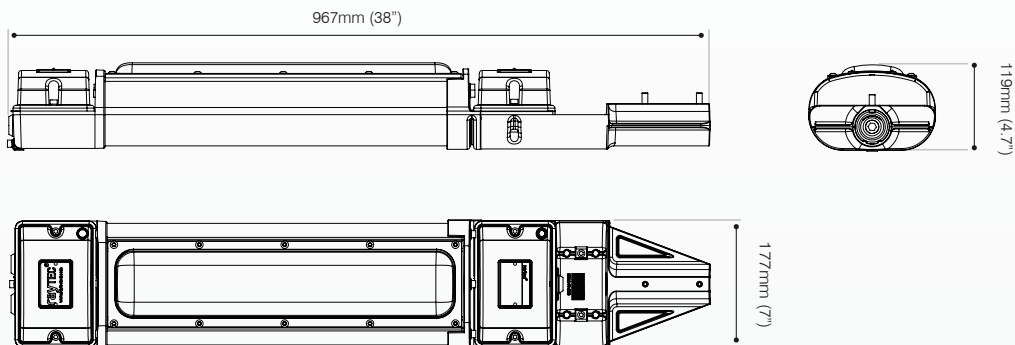


Product Dimensions

WL84, WL84 High Output



WL84 Emergency



Part Code Builder

SPARTAN Linear Spigot Zone 1 Family

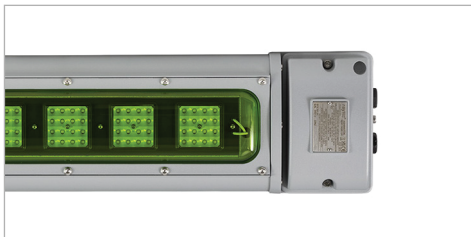
Standard: Example - SPX-WL84-EMX25-SP

| Family | Model | Emergency | Mounting | Variant | CCT | Power | Optics | Entry |
|--------|-------|----------------------------|-------------|-------------------------|--------------------|-------------------------------|---|------------------------|
| SPX | WL84 | NOT STATED - non-emergency | SP - Spigot | NOT STATED - T4 variant | NOT STATED - 6500K | NOT STATED- 110-254V AC | NOT STATED - standard | NOT STATED - M20 entry |
| | | EMX25 - 25% for 3 hours | | T6 - T6 variant | 4K - 4000K | LV - low voltage non-EM only) | Other optics available - contact Raytec | M25 - M25 entry |

High Output: Example - SPX-WL84-HO-SP

| Family | Model | Mounting | Variant | CCT | Power | Optics | Entry |
|--------|---------|-------------|-------------------------|--------------------|-------------------------|---|------------------------|
| SPX | WL84-HO | SP - Spigot | NOT STATED - T4 variant | NOT STATED - 6500K | NOT STATED- 110-254V AC | NOT STATED - standard | NOT STATED - M20 entry |
| | | | | 4K - 4000K | | Other optics available - contact Raytec | M25 - M25 entry |

SPARTAN Linear Specials



Safety Shower Variants

- Green LED technology designed for use where safety shower units are located.
- Dominant wavelength: 519nm
- Dedicated safety shower optic for maximum visibility

Example ordering code: SPX-WL84-SP-G

Other options available, contact Raytec for full ordering information.



Wildlife-Friendly Variants

- Amber LED technology designed to protect wildlife in coastal locations or natures reserves.
- Dominant wavelength: 600nm

Example ordering code: SPX-WL84-SP-4K-A

Other options available, contact Raytec for full ordering information



See SPARTAN Linear Mounting & Accessories Guide for full range of accessories