

Forklift Arrow Light Projector Datasheet



SafetyCast™ Hazard Illumination Forklift Arrow Light provides visual warning to pedestrians and vehicles in accident prone areas, or areas where pedestrians share floor space with mobile industrial handling equipment, such as warehouses, dock and loading areas or any industrial workplace pedestrians. This solution is extremely effective in noisy areas where audible alarms can be drowned out, or where multiple alarms may confuse the pedestrian. The product is weatherproof, thus ideal for indoor and outdoor use.

Key Features:

- Easy to install on any forklift in minutes
- Adjustable mounting bracket allows for easy positioning of the beam on the floor
- High visibility illuminated projections provide the pedestrian with clear knowledge of their proximity to moving equipment
- Weatherproof and ideal for indoor/outdoor use
- Run off 10-80VDC
- Long operating life of 30,000+ hrs

Specifications:

Lamp Details

Type of Light Source:	High Performance LED
Rated Power:	6W
Light Source Life (MTTF):	30,000 hours at 25°C/77°F

Optical

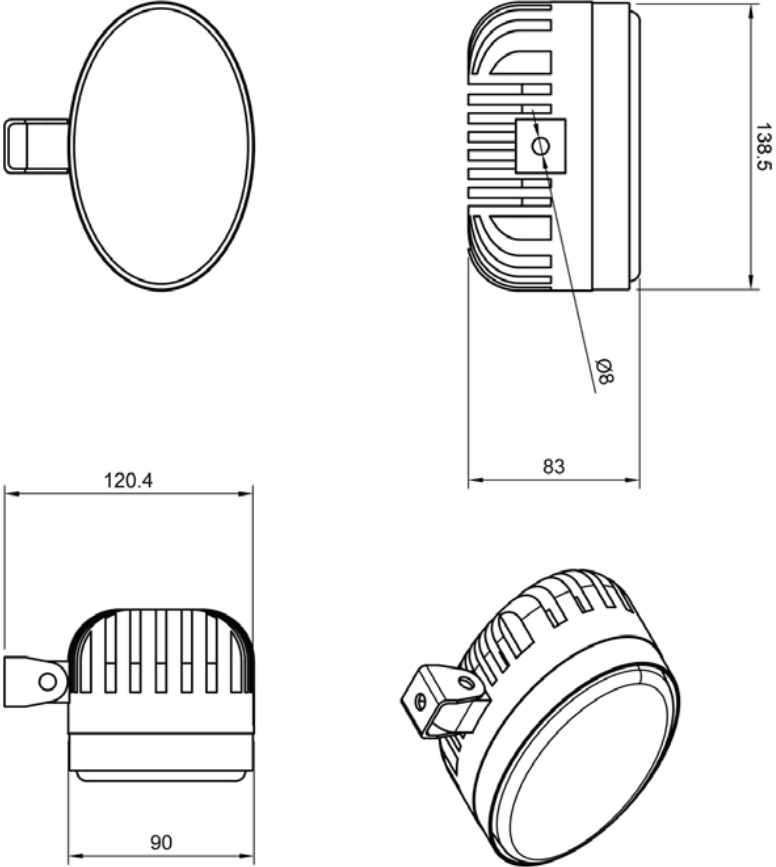
Light Colour:	Blue
Projection Type:	Arrow
Projection Fan Angle:	6°

Temperature Range (°C):	-20 to 50 °C (-4 to 120 °F)
Operating Voltage:	10-80V DC
IP Rating:	IP65
Weight:	1.4 Kg (3.08 lb)

Standard Warranty:	12 months
---------------------------	-----------

Forklift Arrow Light Projector

Dimensions:





www.fsesafe.com

E&OE: Data included in this sheet may be subject to change without notice.
Please confirm critical specifications with our staff prior to ordering.