



ATEX/IECEX Explosion Proof - 3rd Party Certified

Confined Space / Hazardous Area Portable Ventilation

100% Made in UK

Made in UK – Assuring highest safety standards. The fans are ATEX and IECEx dual certified to Electrical & Non-Electrical Standards (Mechanical) for Zone 1 & Zone 2 ventilation applications.

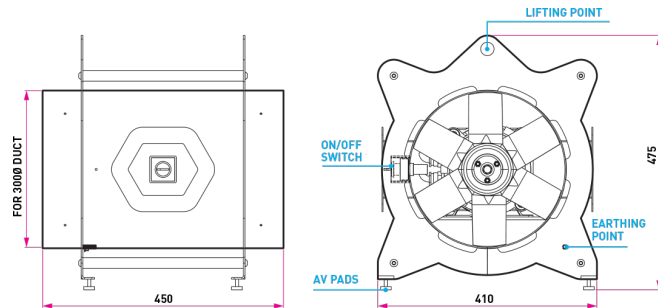
ExStream_300 – 12" ATEX/IECEX Ventilation Fan

PERFORMANCE:

- 3850 m³/hr @ 50Hz Free Air
- 4700 m³/hr @ 60Hz Free Air
- 3250 m³/hr @ 50Hz with 10 meters of ducting
- 3950 m³/hr @ 60Hz with 10 meters of ducting

TECHNICAL SPECIFICATIONS:

- Power Supply either 230v or 110v / 50Hz or 60Hz
- Painted C5M Offshore Standard
- Weight 30kgs
- 110v motor option FLC 7.5Amps
- 230v motor option FLC 3.7Amps



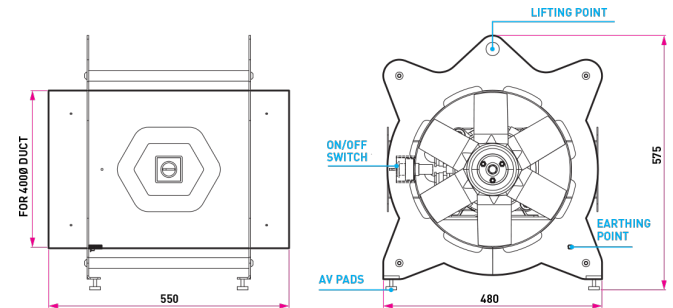
ExStream_400 – 16" ATEX/IECEX Ventilation Fan

PERFORMANCE:

- 7750 m³/hr @ 50Hz Free Air
- 9400 m³/hr @ 60Hz Free Air
- 6800 m³/hr @ 50Hz with 10 meters of ducting
- 8250 m³/hr @ 60Hz with 10 meters of ducting

TECHNICAL SPECIFICATIONS:

- Power Supply either 230v or 110v / 50Hz or 60Hz
- Painted C5M Offshore Standard
- Weight 39kgs
- 110v motor option FLC 7.5Amps
- 230v motor option FLC 3.7Amps



CERTIFICATION: ELECTRICAL MOTOR

Zone 1, Exde IIB T4 Gb,IP54
Certified to ATEX/IECEX

SWITCH

Atex certification II 2G Ex mb IIc T6 Gb
IECEX certified Ex Mb IIC Tb

PLUG

ATEX/IECEX
Exde IIC T5/T6

CERTIFICATION: NON-ELECTRICAL

ATEX Zone 1 Category 2G IIB T4 Certificate Number Sira 09ATEX 6230X

IECEX Ex h Gb IIB T4 Certificate Number IECEX SIR17.0076X

STANDARDS:

ISO 80079-36:2016 Non-electrical equipment for explosive atmospheres
ISO 80079-37:2016 Non-electrical type of protection constructional safety
BS EN 14986: 2017

KEY FEATURES:

- Independently dual certified to ATEX & IECEx
- 4 standard sizes plus tailored designs
- Easy to use (plug & play) with Integrated stop/start
- Fully portable
- Power lead (5m) with plug. Alternative plugs available on request
- Power supply either 230v or 110v/ 50Hz or 60Hz
- 3 phase option available on request
- Painted C5M Offshore Standard
- Axial & Centrifugal design
- Suitable for offshore applications

ANCILLARY ITEMS:

Anti-static ducting (5m) with quick release clamp
Ducting extension kit
Earth cable (2m) with clamp